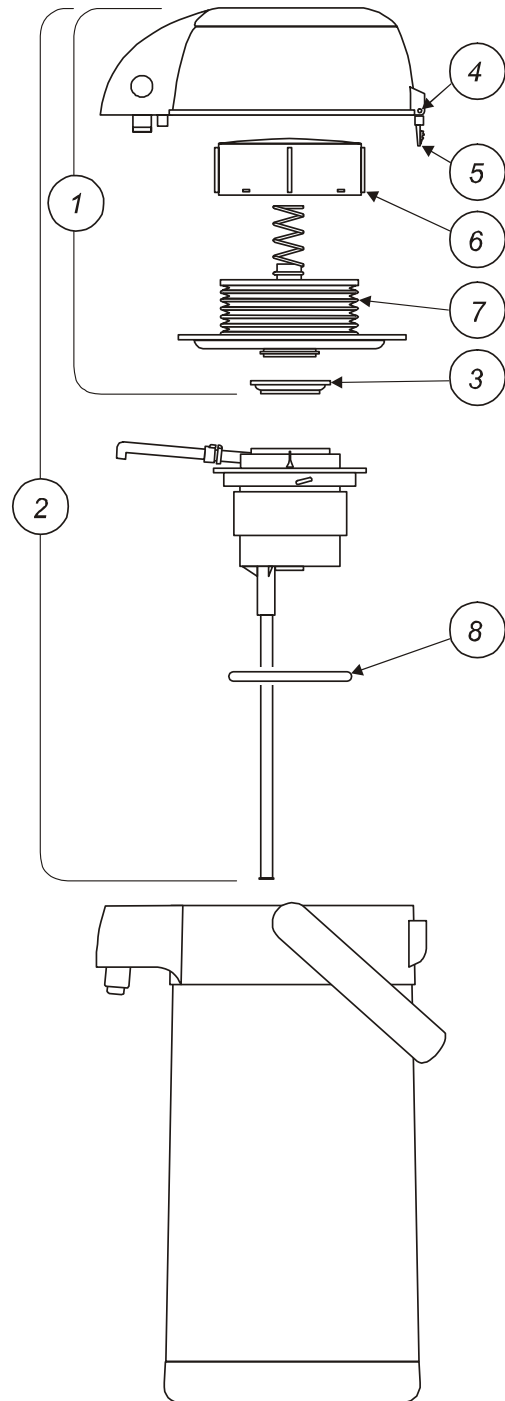


**BLOOMFIELD INDUSTRIES**

2 ERIK CIRCLE, P. O. Box 280  
Verdi, NV 89439  
Customer Service (775) 345-0444 Ext.502  
fax: (775) 345-0569  
[www.wellsbloomfield.com](http://www.wellsbloomfield.com)

**MODEL 8884  
Stainless Steel Lined Airpot****MODEL 8884 PARTS LIST**

ITEM	PART #	DESCRIPTION
1	83155	LID ASSEMBLY, COMPLETE
2	83160	LID & PUMP ASSEMBLY, COMPLETE
3	83162	GASKET, LID
4	83159	ROLL PIN, HINGE
5	83161	HINGE
6	83158	PUSH PLATE
7	83156	BELLOWS
8	83351	GASKET, PUMP