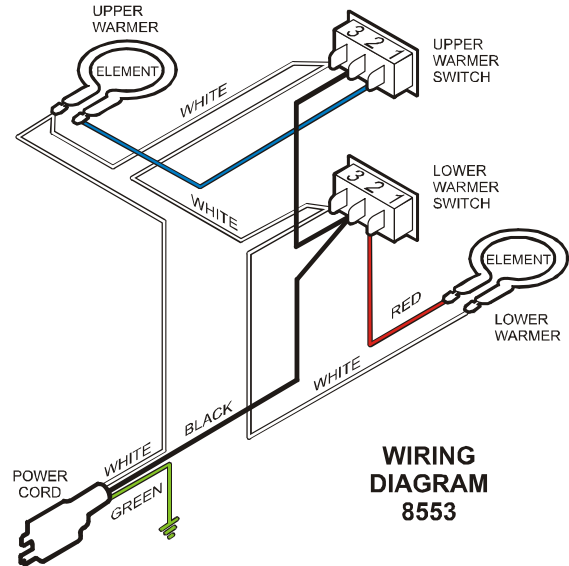
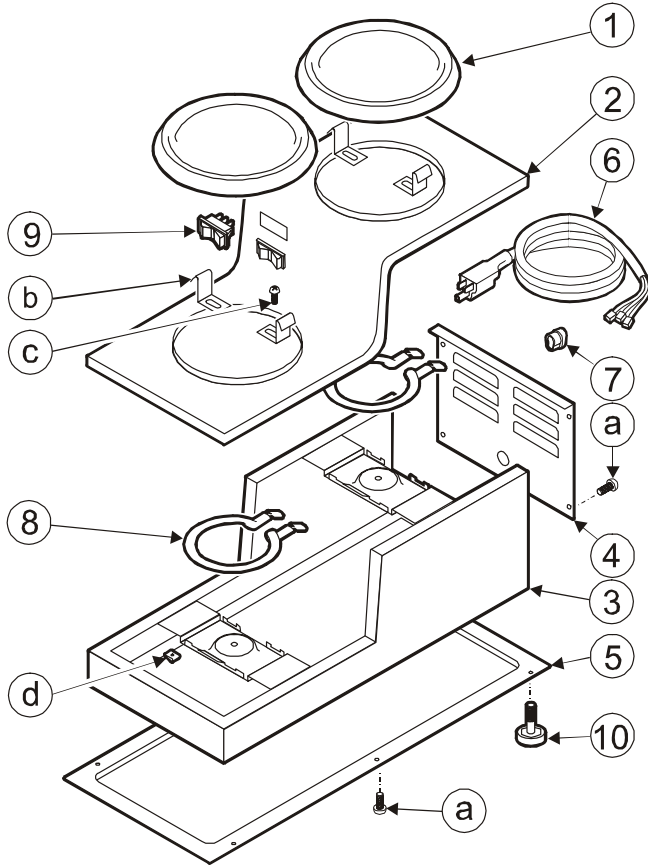




REPLACEMENT PARTS LIST
MODEL 8553 STEP-UP DOUBLE WARMER



ITEM	DESCRIPTION	8553	8553AU	8553EU	8553SI
1	WARMER COVER PLATE	8700-16	8700-16	8700-16	8700-16
2	TOP PANEL	8553-50	8553-50	8553-50	8553-50
3	BODY, STEP-UP WARMER	8853-52	8853-52	8853-52	8853-52
4	BACK PANEL	8553-53	8553-53	8553-53	8553-53
5	BOTTOM PLATE ASSEMBLY	8553-11	8553-11	8553-11	8553-11
6	POWER CORD	8861-12	81603	81646	81157
7	STRAIN RELIEF	35-210	35-212	35-212	35-212
8	ELEMENT, WARMER	8572-18	8533-32	8533-32	8533-32
9	SWITCH, LIGHTED	6710-23	8563-110	8563-110	8563-110
10	LEG ASSEMBLY, LEVELLING	81732	81732	81732	81732
a	SCREW 8x3/8" PH HD	8861-23	8861-23	8861-23	8861-23
b	CLIP, RETAINING	8543-80	8543-80	8543-80	8543-80
c	SCREW 8-32x3/8" TAPPING	7506-30	7506-30	7506-30	7506-30
d	NUT, TINNERMAN	8543-23	8543-23	8543-23	8543-23