

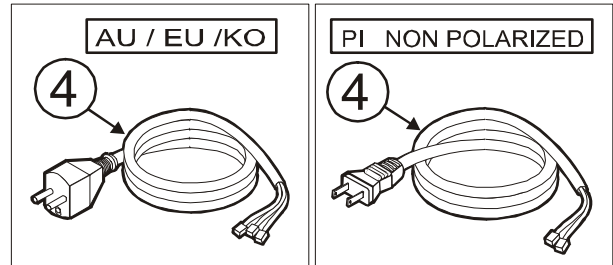
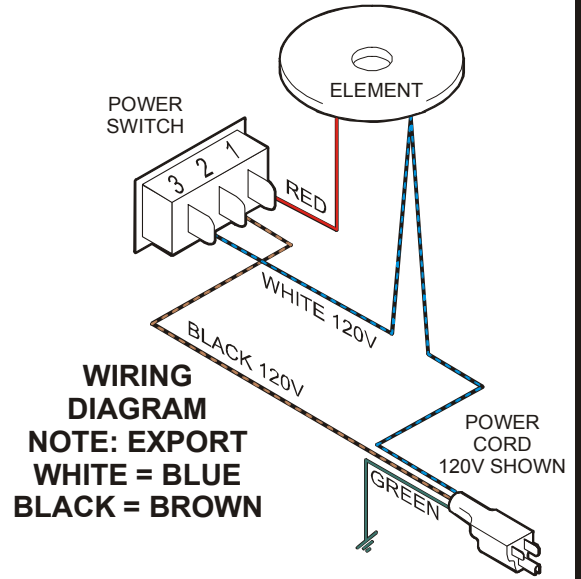
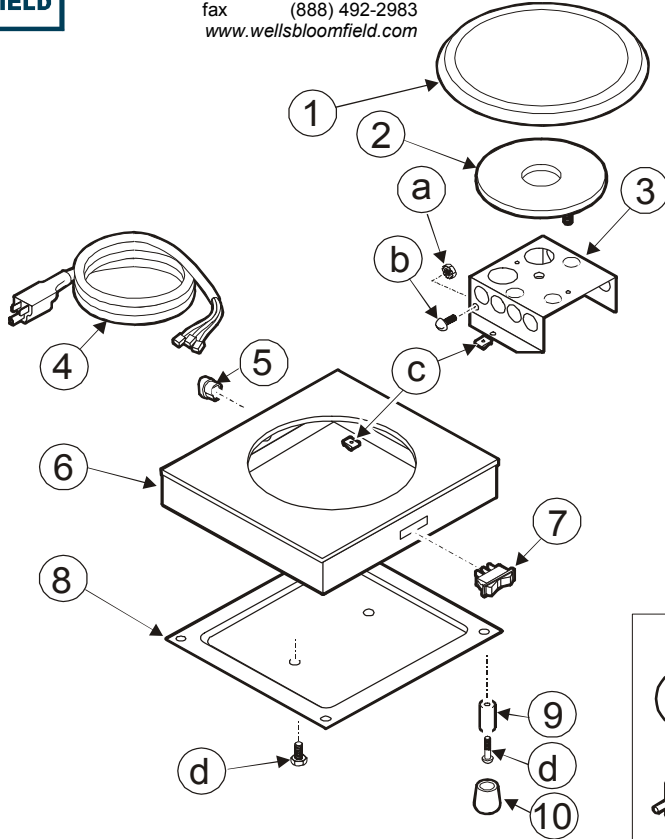


BLOOMFIELD® Industrieies

2 ERIK CIRCLE, P.O. Box 280
Verdi, Nevada 89439
telephone (888) 492-2783
fax (888) 492-2983
www.wellsbloomfield.com

REPLACEMENT PARTS LIST

SLIM LINE SINGLE WARMER MODEL 8851 120V 100W USA
EXPORT 8851AU / 8851EU / 8851KO / 8851PI 220V 85W



NOTE: 120V DIAGRAM SHOWN, 220V SAME EXCEPT USE 220V ELEMENT, CORD AND PLUG, WIRE COLORS.

PARTS LIST

PART Number

#	DESCRIPTION	MODEL 8852		
		120V	AU EU KO 220V	PI 220V
1	Cover Plate	8700-16	8700-16	8700-16
2	Element Heating	8875-148	8533-32	8533-32
3	Upper Mounting Bracket	8043-20	8043-20	8043-20
4	Assy. Power Cord w/Plug	8861-12	82167	81487
5	Strain Relief, Power Cord	35-210	35-212	35-210
6	Body, Warmer	8851-3	8851-3	8851-3
7	Switch, Lighted	6710-23	81756	81756
8	Panel, Bottom	8842-4	8842-4	8842-4
9	Ferrule Eyelet	8861-19	8861-19	8861-19
10	Foot, Black Rubber	8861-18	8861-18	8861-18
a	Nut, #8-32 KEP	8942-92	8942-92	8942-92
b	Screw, 8-32 x 5/16" (grounding)	3-93	3-93	3-93
c	Nut, Tinnerman	8543-23	8543-23	8543-23
d	Screw, #8 STSM 5/8"	8942-20	8942-20	8942-20