

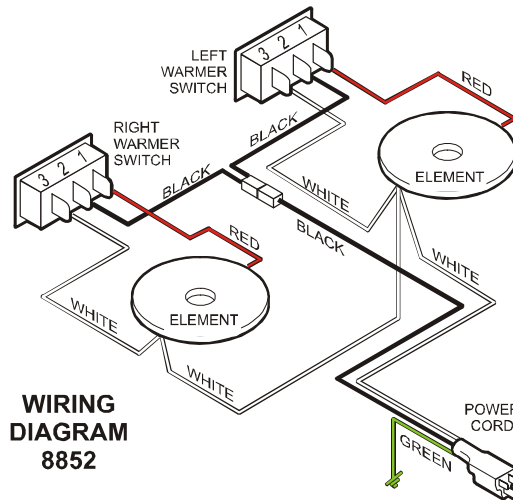
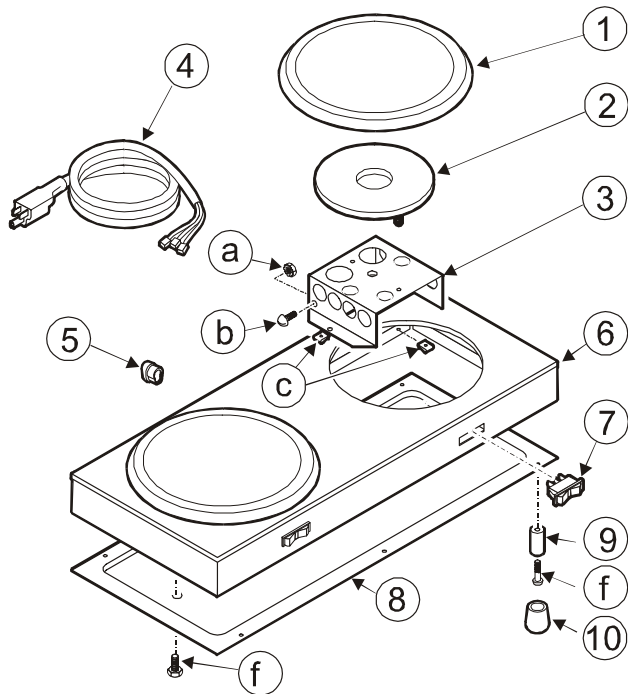


BLOOMFIELD® Industries

2 ERIK CIRCLE, P.O.Box 280
 Verdi, Nevada 89439
 telephone (888) 492-2782
 fax (888) 492-2783
 www.wellsbloomfield.com

761

REPLACEMENT PARTS LIST
MODEL 8852 SLIM LINE DOUBLE WARMER USA
 120V 200 W



PARTS LIST		
#	DESCRIPTION	PART NUMBER MODEL 8852 120V
1	Cover Plate	8700-16
2	Element, Heating 100W	8875-148
3	Upper Mounting Bracket	8043-20
4	Assy, Power Cord w/ Plug	8861-12
5	Strain Relief, Power Cord	35-210
6	Body, Warmer	8852-3
7	Switch, Lighted	6710-23
8	Panel, Bottom	8842-4
9	Ferrule Eyelet	8861-19
10	Foot, Black Rubber	8861-18
a	Nut, #8-32 KEP	8942-92
b	Screw, #8-32 x 5/16" (grounding)	3-93
c	Nut, Tinnerman	8543-23
d	Screw, #8 STSM 5/8"	8942-20

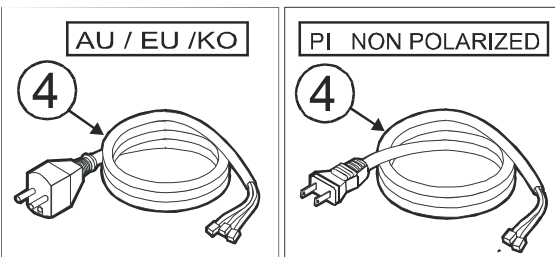
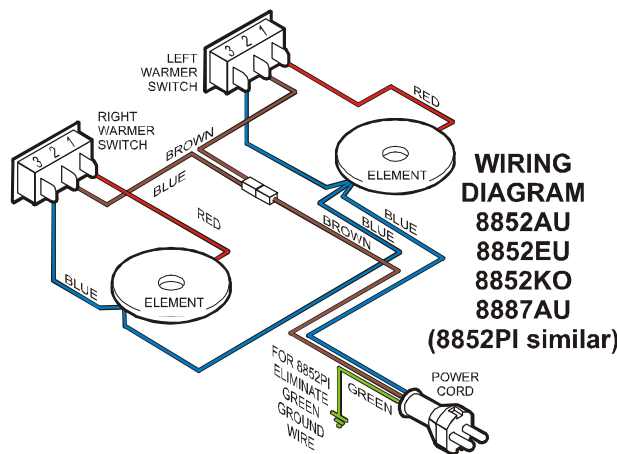
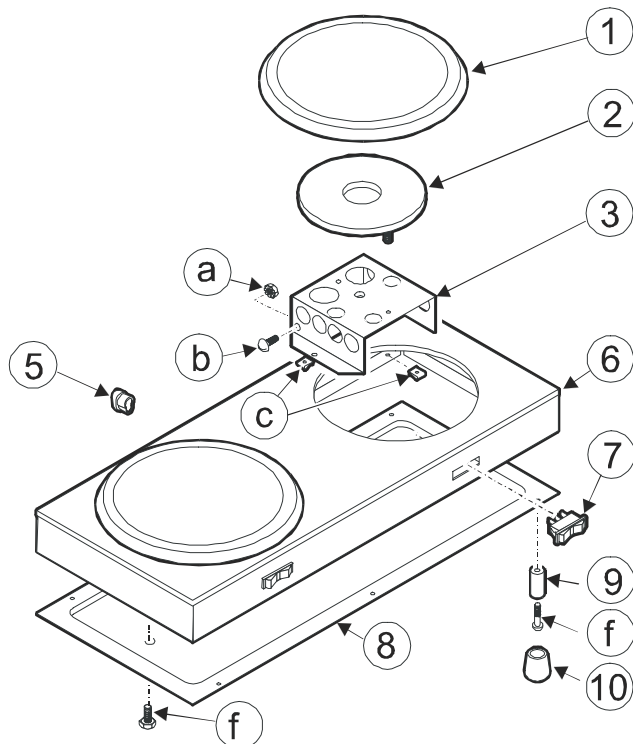


BLOOMFIELD®Industeies

2 ERIK CIRCLE, P.O. Box 280
Verdi, Nevada 89439
telephone (888) 4922783
fax (888) 4922983
www.wellsbloomfield.com

REPLACEMENT PARTS LIST

SLIM LINE DOUBLE WARMER MODELEXPORT
8852AU / 8852EU / 8852KO / 8852PI / 8887AU
240V 200W / 220V 170W



PARTS LIST				
#	DESCRIPTION	PART Number		
		MODEL 8852 AU EU KO 240-220V	MODEL 8852 PI 220V	MODEL 8887AU 240V
1	Cover Plate	8700-16	8700-16	8700-16
2	Element Heating	8533-32	8533-32	8533-32
3	Upper Mounting Bracket	8043-20	8043-20	8043-20
4	Assy. Power Cord w/Plug	82167	81487	81603
5	Strain Relief, Power Cord	35-212	35-210	35-212
6	Body, Warmer	8852-3	8852-3	8852-3
7	Switch, Lighted	81756	81756	81756
8	Panel, Bottom	8842-4	8842-4	8842-4
9	Ferrule Eyelet	8861-19	8861-19	8861-19
10	Foot, Black Rubber	8861-18	8861-18	8861-18
a	Nut, #8-32 KEP	8942-92	8942-92	8942-92
b	Screw, 8-32 x 5/16" (grounding)	3-93	3-93	3-93
c	Nut, Tinnerman	8543-23	8543-23	8543-23
d	Screw, #8 STSM 5/8"	8942-20	8942-20	8942-20