

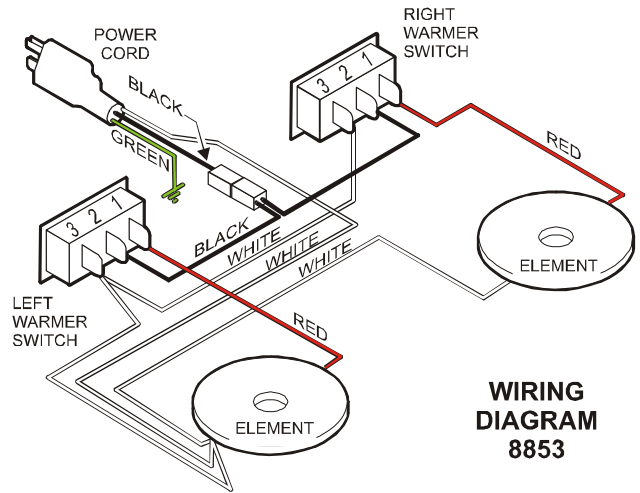
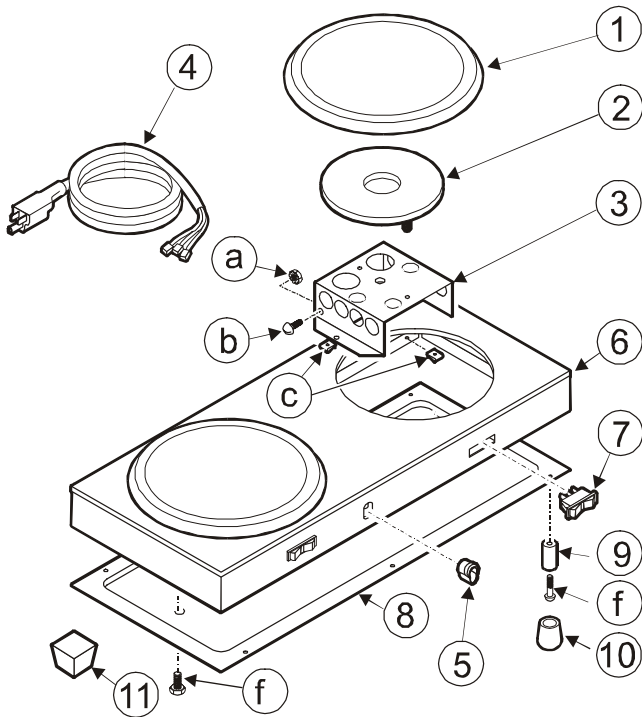


BLOOMFIELD® Industries

2 ERIK CIRCLE, P.O.Box 280
 Verdi, Nevada 89439
 telephone (888) 492-2782
 fax (888) 492-2783
 www.wellsbloomfield.com

761

REPLACEMENT PARTS LIST
 MODEL 8853 SLIM LINE DOUBLE WARMER 120V 200 W



MODEL 8853 120V PARTS LIST		
#	DESCRIPTION	PART NUMBER
1	Cover Plate	8700-16
2	Element, Heating 100W	8875-148
3	Upper Mounting Bracket	8043-20
4	Assy, Power Cord w/ Plug	80017
5	Strain Relief, Power Cord	35-210
6	Body, Warmer	
7	Switch, Lighted	6710-23
8	Panel, Bottom	8842-4
9	Ferrule Eyelet	8861-19
10	Foot, Black Rubber	8861-18
11	Leg, Square Rubber, Adhesive	8810-22
a	Nut, #8-32 KEP	8942-92
b	Screw, #8-32 x 5/16" (grounding)	3-93
c	Nut, Tinnerman	8543-23
d	Screw, #8 STSM 5/8"	8942-20