

BLOOMFIELD INDUSTRIES

2 ERIK CIRCLE, P. O. Box 280
Verdi, NV 89439
telephone: 775-689-5700
fax: 888-492-2783
www.wellsbloomfield.com



*Model 8730
Coffee Grinder*

**OWNERS MANUAL
for**

COFFEE GRINDER

**MODEL:
8730**

Includes:

**Installation
Operation
Use & Care
Servicing Instructions**

PRINTED IN UNITED STATES OF AMERICA

WARRANTY STATEMENT

All electrical equipment manufactured by BLOOMFIELD INDUSTRIES is warranted against defects in materials and workmanship for a period of one year from the date of original installation or eighteen (18) months from the date of shipment from our factory, whichever comes first, and is for the benefit of the original purchaser, except that:

- a. airpots carry a 30 day parts warranty only.
- b. dispensers; i.e., tea and coffee carry a 90 days parts warranty only, excludes decanters.

THE FOREGOING OBLIGATION IS EXPRESSLY GIVEN IN LIEU OF ANY OTHER WARRANTIES, EXPRESSED OR IMPLIED, INCLUDING ANY IMPLIED WARRANTY OF MERCHANTABILITY OR FITNESS FOR A PARTICULAR PURPOSE, WHICH ARE HEREBY EXCLUDED.

BLOOMFIELD INDUSTRIES DIVISION / SPECIALTY EQUIPMENT MANUFACTURING CORPORATION SHALL NOT BE LIABLE FOR INDIRECT, INCIDENTAL OR CONSEQUENTIAL DAMAGES OR LOSSES FROM ANY CAUSE WHATSOEVER.

This warranty is void if it is determined that upon inspection by an Authorized Service Agency that the equipment has been modified, misused, misapplied, improperly installed, or damaged in transit or by fire, flood or act of God.

It also does not apply if the serial nameplate has been removed or unauthorized service personnel perform service. The prices charged by Bloomfield Industries for its products are based upon the limitations in this warranty. Seller's obligation under this warranty is limited to the repair of defects without charge by a Bloomfield Industries Authorized Service Agency or one of its sub-agencies. This service will be provided on customer's premises for non-portable models. Portable models (a device with a cord and plug) must be taken or shipped to the closest Authorized Service Agency, transportation charges prepaid, for services.

In addition to restrictions contained in this warranty, specific limitations are shown below (Additional Warranty Exclusions). Bloomfield Industries Authorized Service Agencies are located in principal cities.

This warranty is valid in the United States and void elsewhere. Please consult your classified telephone directory or your food service equipment dealer; or, for information and other details concerning warranty, write to:

**Service Parts Department
Bloomfield Industries
P.O. Box 280
Verdi, NV 89439**

Phone: (775) 689-5700 Fax: (888) 492-2783

SERVICE POLICY AND PROCEDURE GUIDE ADDITIONAL WARRANTY EXCLUSIONS

1. Resetting of safety thermostats, circuit breakers, overload protectors, or fuse replacements unless warranted conditions are the cause.
2. All problems due to operation at voltages other than specified on equipment nameplates; conversion to correct voltage must be the customer's responsibility.
3. All problems due to electrical connections not made in accordance with electrical code requirements and wiring diagrams supplied with the equipment.
4. Replacement of items subject to normal wear, to include such items as knobs and light bulbs. Normal maintenance functions including adjustment of thermostats, microswitches, and replacement of fuses and indicating lights are not covered under warranty.
5. All problems due to inadequate water supply, such as fluctuating, or high or low water pressure.
6. All problems due to mineral/calcium deposits, or contamination from chlorides/chlorines. De-liming is considered a preventative maintenance function and is not covered by warranty.
7. Full use, care and maintenance instructions are supplied with each machine. Those miscellaneous adjustments noted are customer responsibility. Proper attention will prolong the life of the machine.
8. Travel mileage is limited to sixty (60) miles from an authorized Service Agency or one of its sub-agencies.
9. All labor shall be performed during normal working hours. Overtime premium shall be charged to the customer.
10. All genuine Bloomfield replacement parts are warranted for ninety (90) days from date of purchase on non-warranted equipment. **Any use of non-genuine Bloomfield parts completely voids any warranty.**
11. Installation, labor and job check-out are not considered warranty.
12. Charges incurred by delays, waiting time or operating restrictions that hinder the service technicians ability to perform services are not covered by warranty. This includes institutional and correctional facilities.

SHIPPING DAMAGE CLAIMS PROCEDURE

NOTE: For your protection, please note that equipment in this shipment was carefully inspected and packaged by skilled personnel before leaving the factory. Upon acceptance of this shipment, the transportation company assumes full responsibility for its safe delivery.

IF SHIPMENT ARRIVES DAMAGED:

1. **VISIBLE LOSS OR DAMAGE:** Be certain that any visible loss or damage is noted on the freight bill or express receipt, and that the note of loss or damage is signed by the delivery person.
2. **FILE CLAIM FOR DAMAGE IMMEDIATELY:** Regardless of the extent of the damage.

3. **CONCEALED LOSS OR DAMAGE:** if damage is unnoticed until the merchandise is unpacked, notify the transportation company or carrier immediately, and file "CONCEALED DAMAGE" claim with them. This must be done within fifteen (15) days from the date the delivery was made to you. Be sure to retain the container for inspection.

Bloomfield Industries cannot assume liability for damage or loss incurred in transit. We will, however, at your request, supply you with the necessary documents to support your claim.

TABLE OF CONTENTS

WARRANTY STATEMENT	xi	Thank You for purchasing this Bloomfield Industries appliance.
SPECIFICATIONS	1	
FEATURES & OPERATING CONTROLS	2	
PRECAUTIONS & GENERAL INFORMATION	3	Proper installation, professional operation and consistent maintenance of this appliance will ensure that it gives you the very best performance and a long, economical service life.
AGENCY LISTING INFORMATION	3	
INSTALLATION INSTRUCTIONS	4	
OPERATION	6	
CLEANING INSTRUCTIONS	7	
SERVICING INSTRUCTIONS	8	This manual contains the information needed to properly install this appliance, and to use, care for and maintain or repair the appliance in a manner which will ensure its optimum performance.
WIRING DIAGRAMS	9	
EXPLODED VIEW & PARTS LIST	10	

SPECIFICATIONS

MODEL	STYLE	VOLTS	WATTS	AMPS 1 ϕ	POWER SUPPLY CORD
8730	Single Grinder	120	375	3.1	NEMA 5-15P
		240	375	1.6	VARIOUS*

* contact factory for specific application

APPLICABILITY

This manual applies to the following Bloomfield Industries products:
8730, with or without suffix

FEATURES AND OPERATING CONTROLS

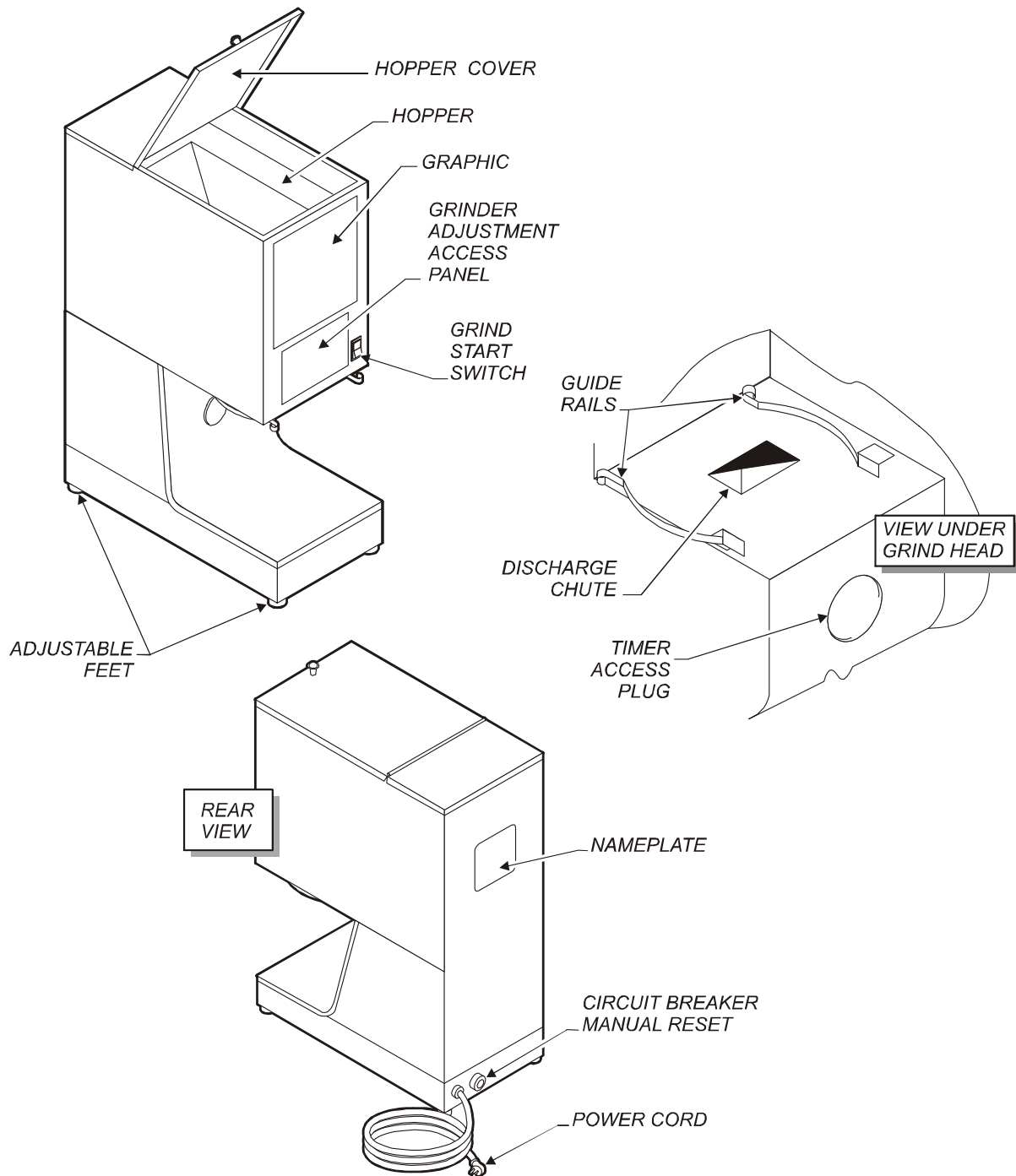


Fig. 1 Model 8730 Features & Operating Controls

PRECAUTIONS AND GENERAL INFORMATION



WARNING: ELECTRIC SHOCK HAZARD

All servicing requiring access to non-insulated components must be performed by qualified service personnel. Do not open any access panels which require the use of tools. Failure to heed this warning can result in electrical shock.



WARNING: INJURY HAZARD

All installation procedures must be performed by qualified personnel with full knowledge of all applicable electrical codes. Failure could result in property damage and personal injury.

This appliance is intended for commercial use only.

This appliance is intended for grinding coffee beans. No other use is recommended or authorized by the manufacturer or its agents.

This appliance is intended for use in commercial establishments, where all operators are familiar with the appliance use, limitations and associated hazards. Operating instructions and warnings must be read and understood by all operators and users.

Except as noted, this piece of equipment is made in the USA and has American sizes on hardware. All metric conversions are approximate and can vary in size.

The following trouble shooting, component views and parts lists are included for general reference, and are intended for use by qualified service personnel.

This manual should be considered a permanent part of this appliance. The manual must remain with the appliance if it is sold or moved to another location.



CAUTION: EQUIPMENT DAMAGE

DO NOT plug in or energize this appliance until all *Installation Instructions* are read and followed. Damage to the grinder will occur if these instructions are not followed.



CAUTION: CUT / PINCH HAZARD

DO NOT reach into the hopper or discharge chute without first unplugging the unit from electric power.

AGENCY LISTING INFORMATION

120V model of this grinder is  listed under UL file E98380.



INSTALLATION

READ THIS CAREFULLY BEFORE STARTING THE INSTALLATION



CAUTION: ELECTRICAL DAMAGE

DO NOT plug in or energize this appliance until all Installation Instructions are read and followed. Damage to the grinder may occur if these instructions are not followed.



CAUTION: UNSTABLE EQUIPMENT HAZARD

It is very important for safety and for proper operation that the grinder is level and stable when standing in its final operating position. Provided adjustable, non-skid feet must be installed at each corner of the unit. Failure to do so will result in movement of the brewer which can cause personal injury and/or damage to grinder.



WARNING: SHOCK HAZARD

Grinder must be properly grounded to prevent possible shock hazard. Electrical shock will cause death or serious injury.

Unpack the unit. Inspect all components for completeness and condition. Ensure that all packing materials have been removed from the unit.

LEVELING THE UNIT

Verify that an adjustable leg is installed at each corner of the grinder.

Set grinder in its operating location. Level the grinder. A spirit level should be placed on the top of the unit, at the edge, as a guide when making level adjustments.

Level the unit from left to right and front to back by turning the adjustable feet. Be sure all four feet touch the counter to prevent tipping.

ELECTRICIAN'S INSTALLATION INSTRUCTIONS

IMPORTANT:

Supply power must match nameplate for voltage and phase. Connecting to the wrong voltage will damage the brewer or result in decreased performance. Such damage is not covered by warranty.

IMPORTANT:

The ground prong of the plug is part of a system designed to protect you from electrical shock in the event of internal damage. Never cut off the ground prong nor twist a blade to fit an existing receptacle. Contact a licensed electrician to install the proper circuit and receptacle.

REFER TO ELECTRICAL SPECIFICATIONS - Page 1
Check the nameplate to determine correct electrical service required for the grinder to be installed.

Models 8730 are equipped with a cord and plug.

120V units require a 115 - 125 volt 20 amp circuit (50/60 Hz, 2 wire plus ground, with NEMA 5-15R or 5-20R Receptacle).

220V and 240V units require an appropriate circuit (50/60 Hz, 2-wire plus ground).

INITIAL ADJUSTMENTS

The grinder is factory set to deliver the proper amount of ground coffee for a standard 64 oz. brew. The grinder is set to normal fine grind specifications. Both throw weight and grind are adjustable to customer requirements.

A. ADJUST THROW WEIGHT

The amount of coffee per brew determines the strength of the brewed coffee. The grinder controls the amount of ground coffee delivered by controlling the grind time. The timer has two ranges:

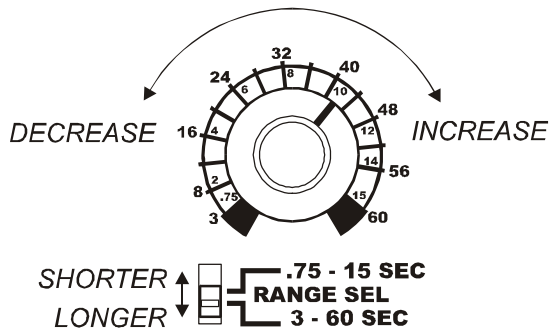
.75 seconds to 15 seconds; and, 3 seconds to 60 seconds.

Fill the hopper with coffee beans. Access the timer by removing the 2" access plug under the grind head.

Select the proper range.

Increase time by turning the control knob clockwise.

Decrease time by turning the control knob counter-clockwise.



B. ADJUST GRIND

The coarseness of the grind has a significant effect on the flavor and richness of the brewed coffee. The grinder can be adjusted in 12 stages between very fine and regular grinds.

Fill the hopper with coffee beans. Access the grinder adjustment by removing the front access panel.

Turn the head clockwise for a finer grind, counterclockwise for a coarser grind. Be sure the head snaps into one of the detents.

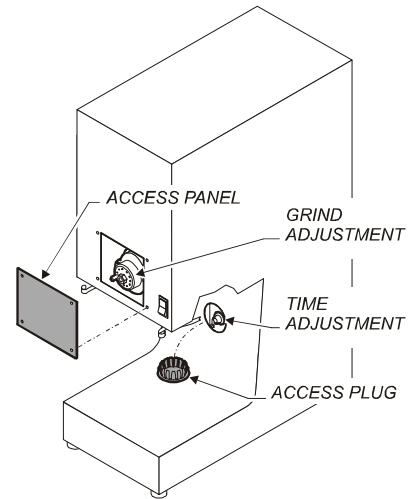
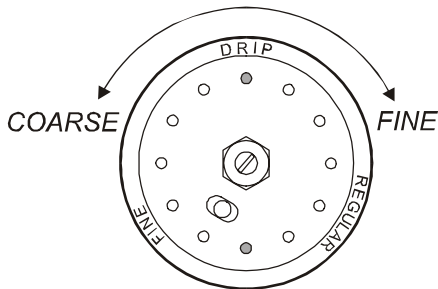


Fig. 2 Adjustment Access

SUGGESTIONS:

Bloomfield recommends that throw weight be measured with a digital gram scale.

Consult with your coffee roaster for recommended grind and throw weight. Then, adjust to taste for your particular application.

For later reference, when the desired taste is achieved, write the throw weight, timer setting and grinder setting on the inside of the access panel.

Be sure to reinstall access panels when finished adjusting the grinder.

OPERATION



CAUTION: CUT / PINCH HAZARD

DO NOT reach into the hopper or discharge chute without first unplugging the unit from electric power.

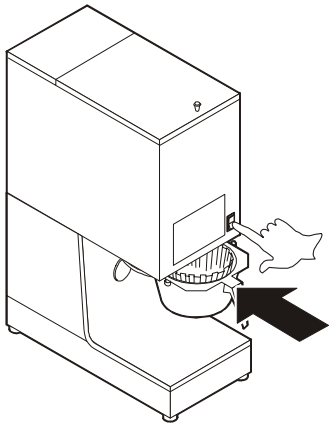
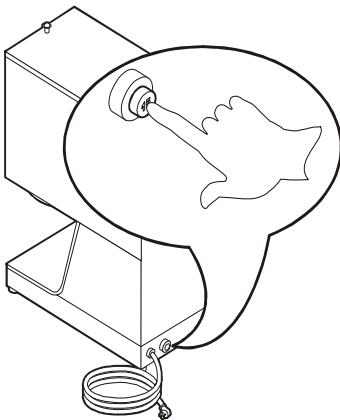


Fig. 3 Grinder Operation

IMPORTANT:

Before resetting the circuit breaker or replacing the shear disk, endeavor to locate and clear the source of the jam. Unplug the grinder from electric power before reaching into the hopper or discharge chute.



*Fig 4. Reset Circuit
Breaker*

NORMAL OPERATION

Fill the hopper with coffee beans.

Place the appropriate filter paper in your brewer's brew chamber. Slide the brew chamber under the grind head on the guide rails.

Press the start button. When the grinder stops, remove the brew chamber and proceed with your normal brew sequence.

GRINDER PROTECTION DEVICES

The grinder is equipped with a circuit breaker and a shear dish to protect the motor and grinder burrs in the event of a jam or solid object entering the grind head.

If the grinder does not operate when the start button is pressed, the circuit breaker may be tripped. The circuit breaker is located on the back of the grinder, near the power cord inlet. When tripped, the center pin of the breaker will "pop" out approximately 1/4". Press the pin straight in until it "clicks" to reset.

If the grinder motor runs but the grinder does not grind coffee, the shear disk may have released. Refer to maintenance procedures for shear disk replacement.

CLEANING INSTRUCTIONS

PROCEDURE: Clean Coffee Grinder

PRECAUTIONS: Disconnect grinder from electric power.

FREQUENCY: Weekly

TOOLS: Mild Detergent, Clean Soft Cloth or Sponge
Soft Bristle Brush



CAUTION: SHOCK HAZARD

Do not submerge or immerse grinder in water.

IMPORTANT:

DO NOT use steel wool, sharp objects, or caustic, abrasive or chlorinated cleansers to clean the grinder.

1. Disconnect grinder from electric power.
Empty beans from hopper.
Remove any remaining brew chamber from under grind head.
2. Wipe grounds, solids and any remaining beans from the hopper.
3. Using a soft bristle brush, brush any remaining coffee grounds from the discharge chute of the grind head.
4. Wipe inside of hopper and area around the grind head with a soft clean cloth or sponge moistened with clean water and mild detergent.
5. Rinse with clean water and allow to air dry.
6. Wipe the exterior of the grinder with a soft clean cloth or sponge moistened with clean water. Allow to air dry.
7. Plug grinder into electric power. Refill hopper with fresh beans.

Procedure is complete

SERVICING INSTRUCTIONS

ADJUST GRINDER BURRS

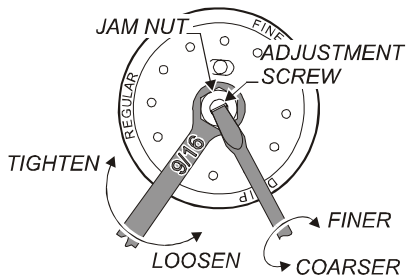


Fig. 5 Adjust Burrs

After replacing grinder burrs, or to compensate for wear from extended use, it may be necessary to adjust the burrs.

Empty the hopper and run the grinder until there are no more beans in the burrs. Remove the front access panel.

Note the position of the grind adjustment. Turn the adjustment head fully clockwise (fine grind) until it is against the stop.

Using a 9/16" box-end wrench to loosen the jam nut. Use a large flat-head screw driver to turn the adjustment screw one full turn counter-clockwise.

Press the start switch. Slowly turn the adjustment screw clockwise until the burr teeth just begin to click. Then, turn the adjustment screw counterclockwise 1/8 turn, or until the clicking stops.

Tighten the jam nut while holding the adjustment screw from turning. The grinder is now set to the finest grind.

Return the adjustment head to its original position. Refill the hopper and run several tests to be sure the grind is satisfactory. Adjust as necessary.

REPLACE SHEAR DISK

Unplug the grinder from electric power. Empty the hopper. Remove the front access panel.

Using a 1/2" socket, remove two hex bolts holding grinder adjustment head to grinder body.

Remove shear disk cover and broken pieces of shear disk.

Withdraw the feedworm and burr assembly. Clean the inside of the grinder head and grinder adjustment head. Be sure that no debris or foreign objects remain in the surface of the burr plates.

Slide the feedworm back onto the motor shaft. Turn the shear drive so that it engages the motor shaft.

Align the slot in the feedworm with the slot in the shear drive. Insert a new shear disk and replace the shear cover.

Reinstall grinder adjustment head. If replacing the wooden plug, be sure to install it so that the flat end is toward the shear cover. Be sure it is properly aligned and the bolts are securely tightened.

Reconnect to electric power. Refill the hopper and run several tests to be sure the grind is satisfactory. Adjust as necessary.

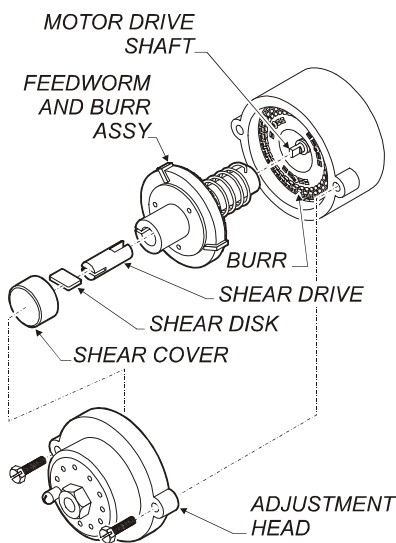
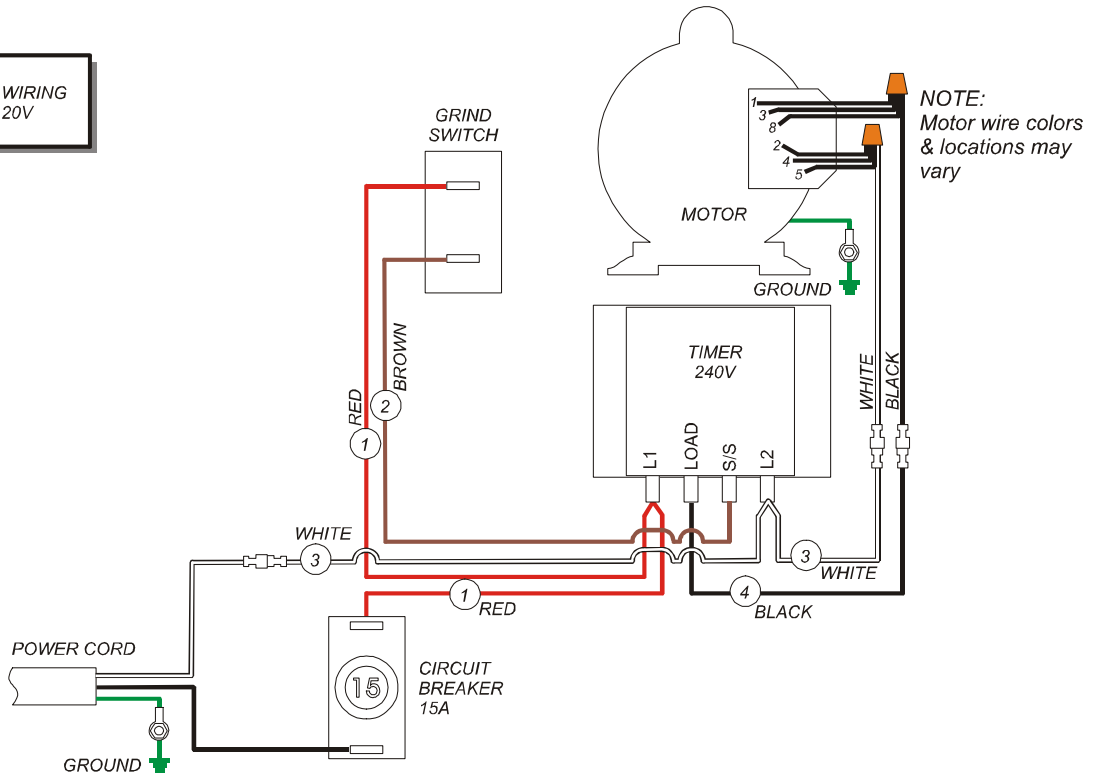


Fig. 6 Replace Shear Disk

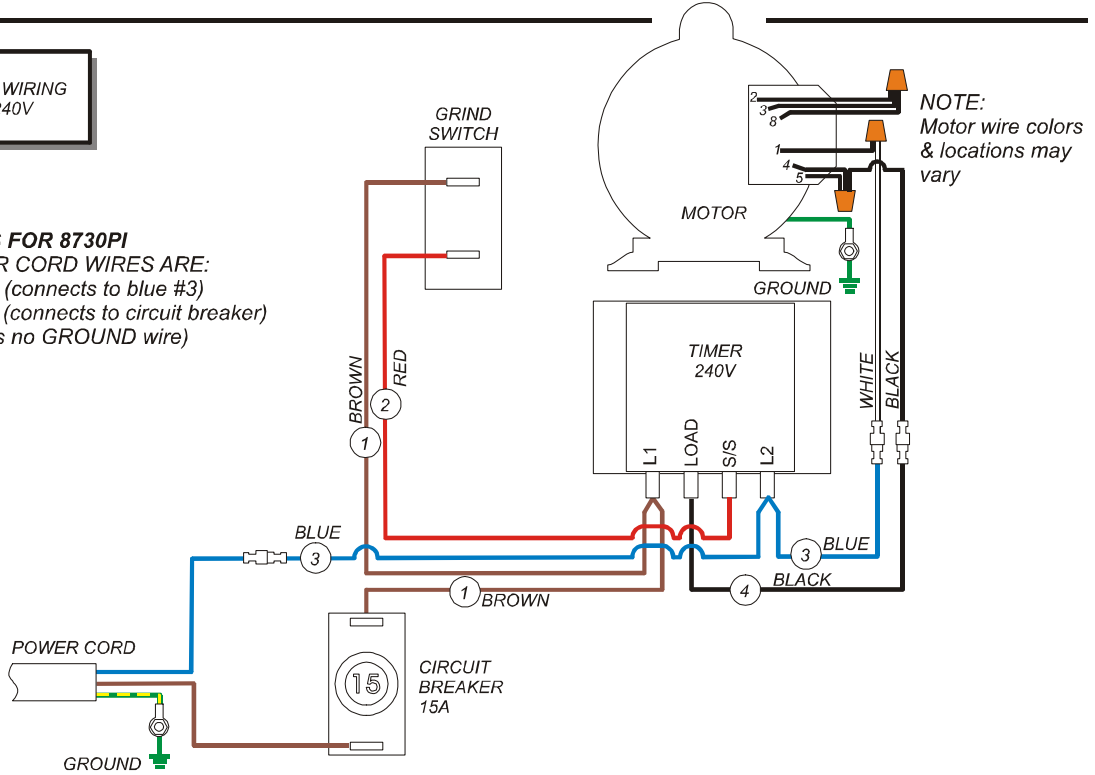
WIRING DIAGRAM

8730 WIRING
120V



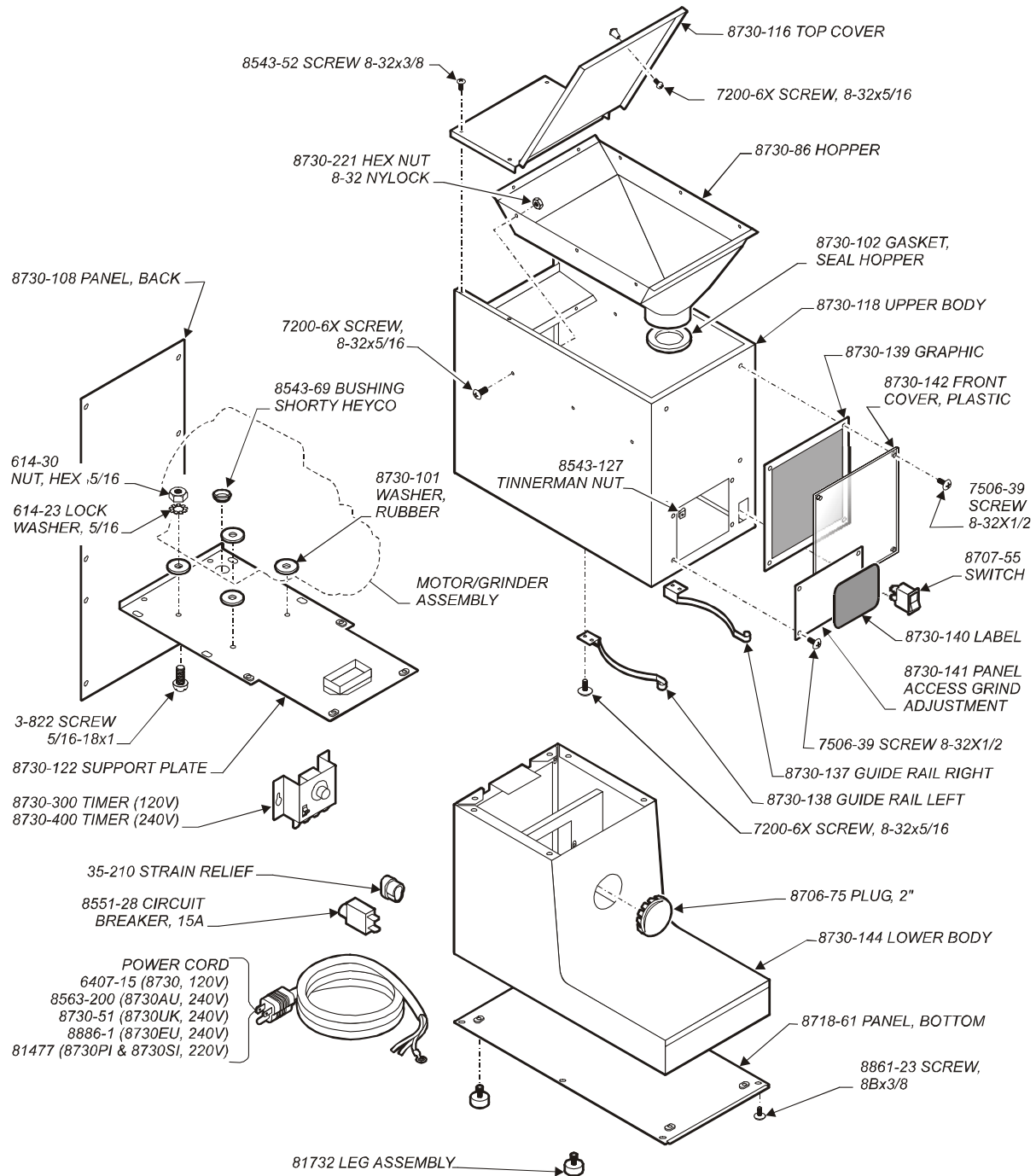
8730 WIRING
240V

NOTES FOR 8730PI
 POWER CORD WIRES ARE:
 BLACK (connects to blue #3)
 WHITE (connects to circuit breaker)
 (there is no GROUND wire)



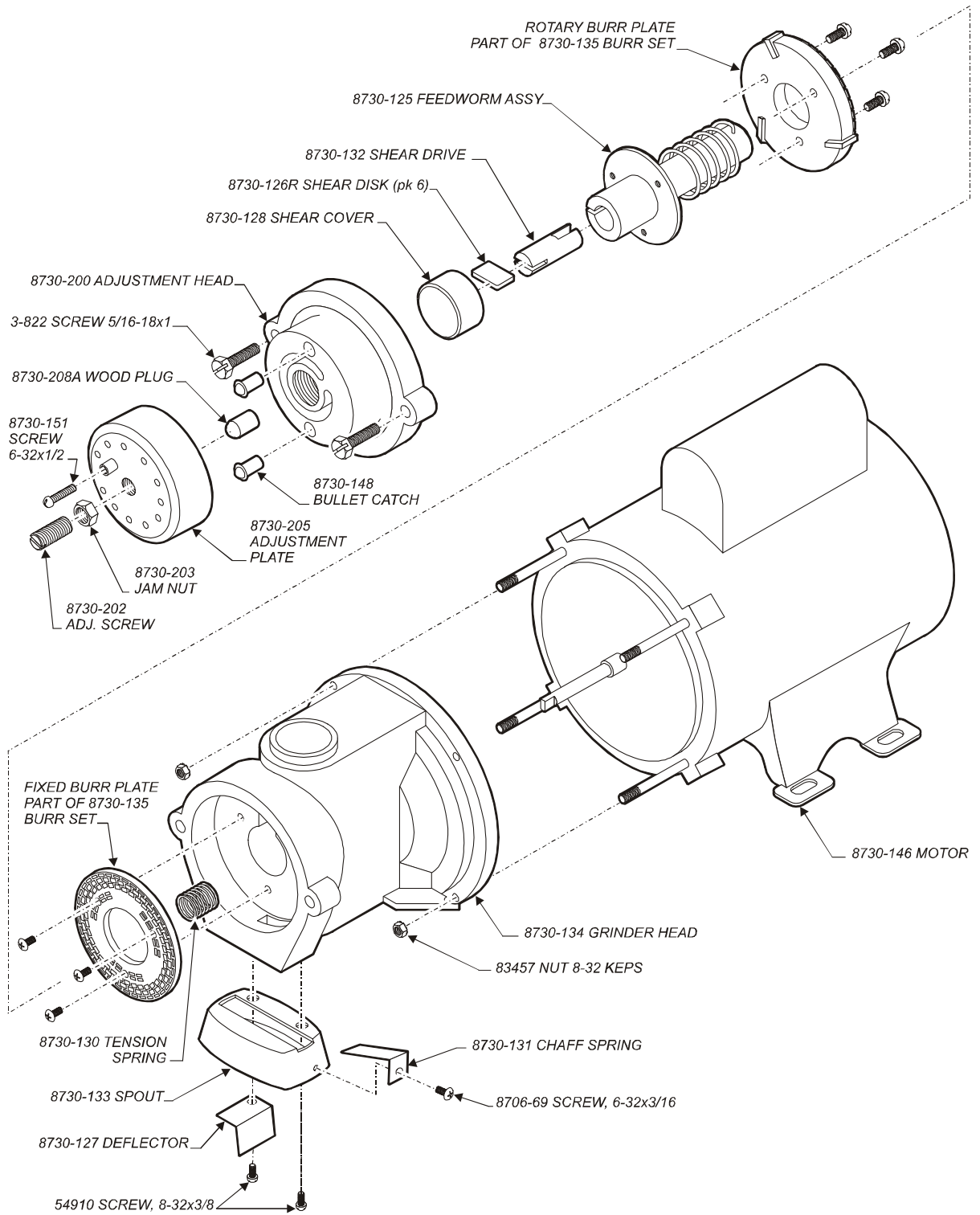
EXPLODED VIEW & PARTS LIST

8730 CABINET AND ASSOCIATED COMPONENTS



EXPLODED VIEW & PARTS LIST (continued)

8730 MOTOR & GRINDER COMPONENTS



CFESA

Commercial Food Equipment Service Association

Bloomfield Industries proudly supports CFESA
Commercial Food Equipment Service Association

SERVICE TRAINING - QUALITY SERVICE



CUSTOMER SATISFACTION



BLOOMFIELD

Bloomfield Industries, Inc.
Division of Carrier Commercial Refrigeration

In US and Canada

Telephone: 775-689-5700

Fax: 888-492-2783

Fax: 800-356-5142 (*for orders only*)

website: www.wellsbloomfield.com

PRINTED IN UNITED STATES OF AMERICA