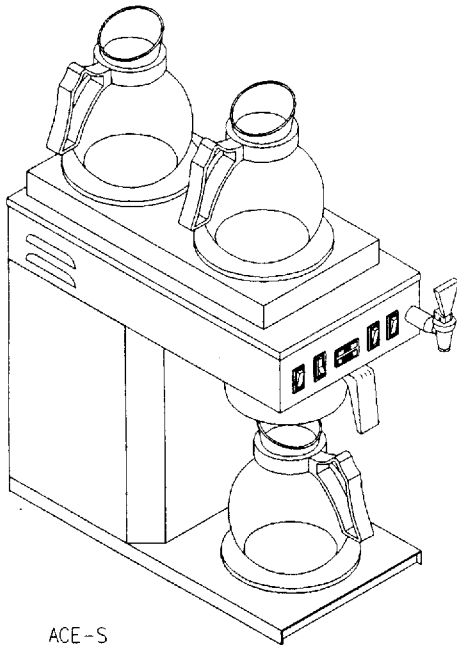
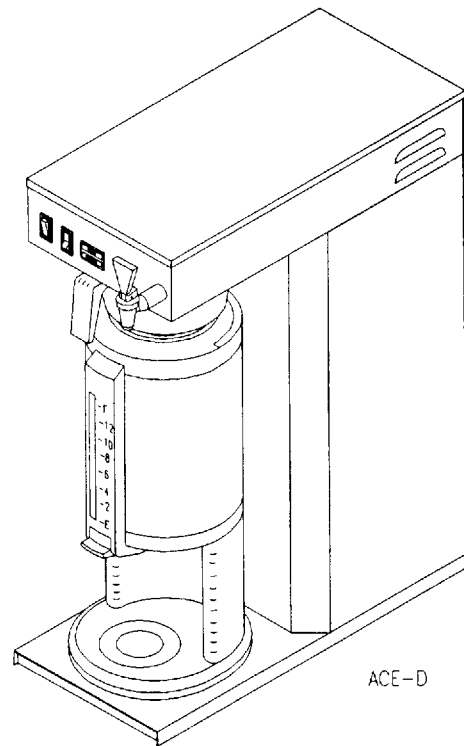


NEWCO ENTERPRISES

INSTALLATION, OPERATION, AND SERVICE MANUAL FOR THE ACE SERIES - AUTOMATIC COFFEE EQUIPMENT

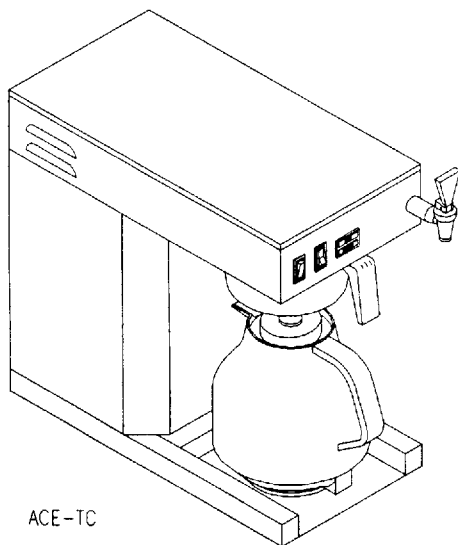


ACE-S

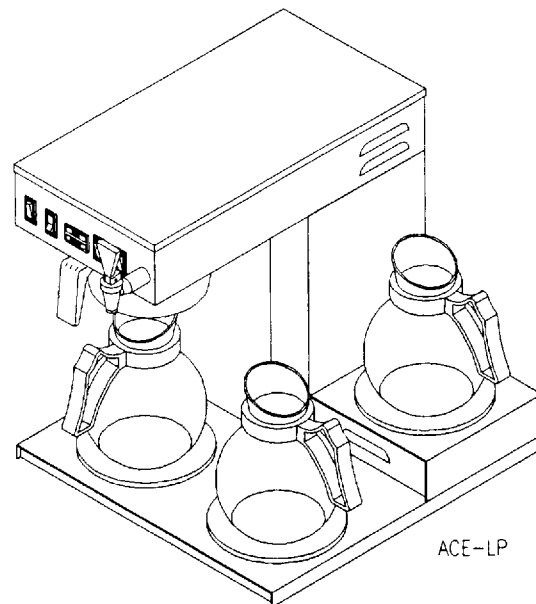


ACE-D

Note: Decanters not included with brewers.



ACE-TC



ACE-LP

Model	Warmers	Width	Length	Height	Weight	Watts	Amps
ACE-S	3	8-1/2	16-1/2	17-5/8	29	1710	14.3
ACE-LP	3	15-1/2	16-1/2	15-7/8	31	1710	14.3
ACE-AP	0	8-1/2	16-3/8	21-5/8	28	1410	11.8
ACE-D	0	8-1/2	17-3/8	25-5/8	32	1410	11.8
ACE-TC	0	8-1/2	16-3/8	16	27	1410	11.8
ACE-LD	0	8-1/2	16-3/8	20	28	1410	11.8

BREWER QUICK SETUP INSTRUCTIONS

- 1) Plumb brewer to 1/4" copper water line.
- 2) Remove cover of brewer and pour one decanter of water into tank.
- 3) Plug or wire brewer into appropriate electrical circuit as designated on brewer serial tag. Turn on the master switch located on the rear of unit.
- 4) Turn on the lower warmer or power switch as applicable.
- 5) Pull faucet handle. Brewer will begin to fill. When water comes out of faucet, turn faucet off.
- 6) Depress brew button. Brewer will continue to fill. Once water comes out of brew basket, turn lower warmer or power switch off to reset brew

NOTE: BREW CALIBRATION MUST BE DONE WITH TANK LID AND SPRAYHEAD IN PLACE.

HOW THE ACE WORKS

The Ace brewing system is designed to improve brewer performance in the office and food service accounts. The brewer's electronics control volume delivery of coffee as well as the replacement of water used from the hot water faucet.

The brewer has a probe mounted on the top of the lid. This probe is designed to sense water level in the tank for correct tank volume. Brewer lid and sprayhead must be on in order to calibrate the brewer volume. If either of these parts are not on, brewer electronics will automatically go into its backup safety timer circuit and turn the brewer off in approximately two minutes. No adjustment to brew delay will affect this preset safety time.

This design eliminates two problems; (1) short pots after a long weekend - until the water level makes contact with the probe, preset brew time does not begin, and (2) liming up of probe will automatically engage backup safety timer to turn brewer off. The electronics also compensate, during the brew cycle, for water use from the hot water faucet. The faucet, when operated, activates a micro switch which sends a signal to the electronics which compensate for water drawn from the faucet. This allows your customer to use the faucet during brewing without shorting the coffee pot level.

The Vis-I-Brew light operates during a brew cycle. The run duration is adjustable for proper calibration of coffee drainage from the brew basket.

PLUMBER'S INSTALLATION INSTRUCTIONS

CAUTION: Power to brewer must be OFF before proceeding with plumbing installation.

- 1) Flush water line before installing brewer. Brewer should be connected to COLD WATER LINE for best operation.
- 2) Water pressure should be at least 20 lbs. For less than a 25 ft run, use 1/4" copper tubing and connect to 1/2" or larger water line. For longer runs, use 3/8" copper tubing & connect to 1/2" or larger water line and provide an adapter fitting for connection to the brewer.
- 3) If installed with saddle valve, the valve should have a minimum of 1/8" port hole for up to 25 ft run, and 5/16" port hole for over 25 ft runs.
- 4) Connect incoming water line to the elbow extending from the solenoid valve on the back of the brewer. Manufacturer recommends connecting to copper tubing.

INSTALLATION INSTRUCTIONS

WARNING: - Read and follow installation instructions before plugging or wiring in machine to electrical circuit. Warranty will be void if machine is connected to any voltage other than that specified on the name plate.

FILL BREWER TANK WITH WATER BEFORE CONNECTING TO POWER SUPPLY !

- 1) Place the decanter under brew basket, remove brewer top cover and tank lid and pour three decanters of water into the tank. Water should come through the brew basket as the third decanter empties of water. Re-install tank lid and top cover.
- 2) Plug or wire brewer to appropriate voltage circuit as indicated on serial tag. Turn master switch (located in rear of equipment) to the ON position. Note: Brewer is shipped with thermostat turned on, (full counter-clockwise position).
- 3) Place an empty decanter in position below the brew basket. With the decanter in place turn the lower warmer switch, power switch for dispenser models, to the ON position and depress brew start switch. When water begins to flow from the brew basket hold a suitable container beneath faucet and momentarily open the faucet to remove any entrapped air. Turn off lower warmer or power switch as applicable to cancel brew cycle.
- 4) Empty decanter and replace below the brewbasket. Turn on the lower warmer switch, power switch for dispenser models, and depress the brew start switch to begin a brew cycle, checking the volume of water delivered into decanter. Adjust timer to deliver desired amount of water. Turn timer dial clockwise to increase volume of water, counter clockwise to decrease it.
- 5) The brewing light located on the face of the machine below the ready light is part of the "Vis-I-Brew" safety system. This flashing amber light warns the user that hot liquid is draining from the brew funnel. This light should continue to flash until all liquid has drained into decanter. This control is preset at the factory but may be adjusted independent of the brew timer for your specific brewing conditions (i.e., filter type, coffee grind, etc.). Clockwise rotation of the knob will increase duration of the flashing while counterclockwise rotation will decrease the active time of the light. Both the timer and Vis-I-Brew adjustments are located behind the access panel on the side of the brewer.
- 6) Allow 10 to 15 minutes for water in tank to heat to brewing temperature. After water has reached brewing temperature (thermostat will click off and green ready light will be lit) run one cycle to check for the proper temperature setting with an accurate thermometer. Take the temperature of this water at a point below the brew basket opening, at the start of the brew cycle and when the decanter is half full. Recommended temperature of the water is approximately 195 F. (Note: Brew cycle may be canceled by turning the rocker switch back to the OFF position.)
- 7) In higher altitude locations (5000 feet above sea level) the thermostat may have to be adjusted lower to prevent boiling.
- 8) **CAUTION:** The water faucet will dispense hot water when the handle is depressed. The faucet system may be operated during timed portion of brew cycle without yielding a short pot.

COFFEE PREPARATION PROCEDURES

- 1) Place filter into brew basket.
- 2) Put the proper amount of coffee into the filter.
- 3) Slide the brew basket into holder.
- 4) Place the appropriate empty decanter into position below the brew basket. For airpots first open lid and remove pump stem. For other dispensers remove the lid unless it is a brew thru design. Turn lower warmer switch, or power switch for dispenser brewers, to the ON position.
- 5) Press brew start switch. (Brew cycle may be canceled by turning the rocker switch back to the OFF position.)
- 6) Hot water will be delivered through the sprayhead. This distributes the hot water evenly over the coffee bed within the brew basket. The coffee brew will drain from the brew basket into the decanter below.
- 7) The resultant coffee brew should be crystal clear and have the desired properties attainable through excellent extraction.
- 8) For models with warming plates turn off warmers when not in use. Red light in switch indicates when warmer is on. Note: The solenoid will not run to replace water in tank that is drawn off from the faucet when the lower warmer switch, or power switch for dispenser models, is in the OFF position. However when the brew cycle is again initiated the tank will fill before cycle begins to prevent a short pot.
- 9) To clean brew basket simply remove from brew rails and dump filter into waste basket. The brewing process, as described above, can now be started again.

LIMING: To prevent liming problems in tank fittings remove sprayhead and insert deliming spring all the way into the tank. When inserted into tank properly, no more than ten inches of the spring should be visible at the sprayhead fitting. Saw back and forth five or six times. This will keep fittings open and clear of lime. In hard water areas this should be done everyday. This process takes approximately one minute. In all areas the sprayhead should be cleaned at least once a week. Where bad liming has already occurred, a new complete tank assembly may be installed. The tank may be changed in approximately 5 minutes time.

TROUBLE SHOOTING GUIDE

SYMPTOM	POSSIBLE CAUSE	WHAT TO CHECK	REMEDY
CAN'T START BREW CYCLE	<ol style="list-style-type: none"> 1. No water. 2. No power. 3. ON/OFF or lower warmer switch. (Power switch on dispenser brewers.) 4. Brew start switch. 5. Control board harness. 6. Solenoid valve. 	<ol style="list-style-type: none"> 1. Incoming water lines and water shutoff valve. 2. Fuse or circuit breaker. Power cord and plug connections. 3. Is switch turned on? 4. Switch continuity. (Normally open). 5. Wire leads to solenoid and switch terminals. 6. (A) Voltage at solenoid valve terminals. Start a brew cycle and check for proper voltage. (B) If correct voltage is present at terminals, check for water at line pressure on the inlet side of solenoid valve. 	<ol style="list-style-type: none"> 1. Be sure water shutoff valve is open. 2. Replace or reset circuit breaker as required. Unit should be plugged in securely. 3. Switches must be on to start brew cycle. If switch does not make and break contact between terminals 1 and 2, replace switch. 4. If brew switch does not make and break contact, replace brew start switch. 5. Make sure these connections are tight. If so, and all else checks out OK, replace timer. 6. (A) If voltage is not present at terminals refer to steps 2 through 5. (B) If voltage is present at terminals and water at line pressure is present on the inlet side of the solenoid, but not present on the outlet side, replace solenoid or solenoid coil.
NO HOT WATER	<ol style="list-style-type: none"> 1. Tank heater. 2. Hi-limit thermostat or main thermostat. 	<ol style="list-style-type: none"> 1. Check the voltage at the tank heater terminals. Refer to serial tag for proper voltage. 2. Check the voltage between the white wire on the tank heater terminal and the incoming terminal (blue wire) on the hi-limit thermostat, then the outgoing terminal (black wire) on the hi-limit thermostat. 	<ol style="list-style-type: none"> 1. (A) If correct voltage is present at the tank heater terminals, and water in tank is not being heated, replace the tank heater. (B) If voltage is not present at the tank heater terminals refer, to Step 2 (C) If incorrect voltage is present at the tank heater terminals, check voltage at outlet. 2. (A) If voltage is present on the incoming terminal of the hi-limit thermostat, but not on the outgoing terminal, replace the hi-limit thermostat. (B) Check voltage between black and white wire on the receptacle. If voltage is not present check outlet or circuit breaker. (C) If voltage is not present on the incoming terminal of the hi-limit thermostat, replace the main thermostat.
STEAMING OR SPITTING AROUND FUNNEL	<ol style="list-style-type: none"> 1. Main thermostat. 2. High altitude. 	<ol style="list-style-type: none"> 1. Thermostat Points stuck or out of calibration. 2. Located above 5,000 feet 	<ol style="list-style-type: none"> 1. Thermostat should be calibrated or replaced. 2. See installation instructions.
DRIPPING	<ol style="list-style-type: none"> 1. Not siphoning properly 2. Solenoid valve not seated properly. 	<ol style="list-style-type: none"> 1. Water should flow freely from the sprayhead. 2. Solenoid valve assembly. (SEE FIGURE 3) 	<ol style="list-style-type: none"> 1. (A) Clean sprayhead holes (B) Check tightness of sprayhead tube. (C) See "LIMING" page 3 2. Be sure spring is in place and any particles are cleaned from diaphragm. If diaphragm is worn or mutilated, replace solenoid valve.
WATER KEEPS RUNNING	<ol style="list-style-type: none"> 1. Solenoid valve. 2. Start switch 3. Control board/timer. 4. Micro switch. (Located behind faucet) 	<ol style="list-style-type: none"> 1. Refer to "DRIPPING" Step 2 2. Remove wires from switch and check continuity. 3. Control board is non-repairable 4. (A) Remove wires from switch and check continuity. (B) Switch arm or bracket binding with handle preventing shut off 	<ol style="list-style-type: none"> 1. Refer to "DRIPPING" Step 2. 2. If switch does not make and break continuity, replace switch. 3. If timer will not shut off, replace board. 4. (A) If switch does not make and break continuity replace switch. (B) Replace.
OVER FLOWING	<ol style="list-style-type: none"> 1. Receiving decanter not completely empty at the start of the brew cycle. 2. Not siphoning properly 	<ol style="list-style-type: none"> 1. Operating instructions 2. Refer to "DRIPPING" Step 1 	<ol style="list-style-type: none"> 1. Always start brew cycle with receiving decanter empty 2. Refer to "DRIPPING" Step 1

TROUBLE SHOOTING GUIDE

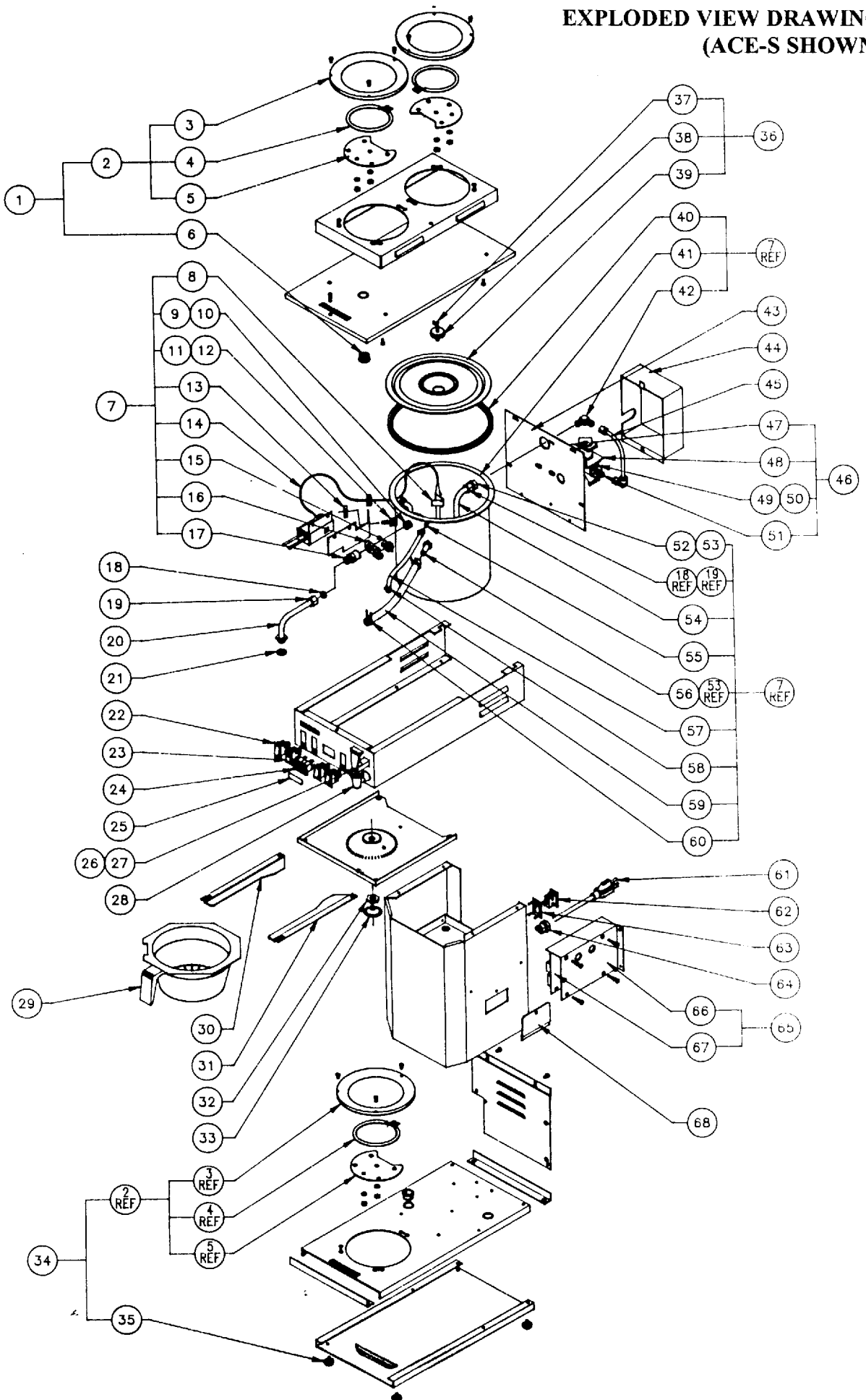
SYMPTOM	POSSIBLE CAUSE	WHAT TO CHECK	REMEDY
IRREGULAR YIELD	<ol style="list-style-type: none"> 1. Not siphoning properly. 2. Control board/timer. 3. Fluctuating water pressure. 4. Solenoid valve. 5. Flow washer. 6. Micro switch. 	<ol style="list-style-type: none"> 1. Refer to "DRIPPING" Step 1. 2. Timer consistency. Time several brew cycles 3. Water pressure. 4. Refer to "DRIPPING" Step 2. 5. Possible lime build up in flow washer or flow control. 6. Refer to "WATER KEEPS RUNNING" Step 4. 	<ol style="list-style-type: none"> 1. Refer to "DRIPPING" Step 1. 2. If times are irregular replace board. 3. If pressure fluctuates 10-20 PSI during operation of brew cycle, add a pressure regulator to inlet side of brewer, set to lowest pressure level registered. adjust timer to yield correct water level. 4. Refer to "DRIPPING" Step 2. 5. (A) Replace flow washer and clean screen. Screen is located inside solenoid. (B) Flow washer must be .250 GPM 6. Refer to "WATER KEEPS RUNNING" Step 4.
DRY COFFEE REMAINING IN BREW BASKET AFTER BREWING	<ol style="list-style-type: none"> 1. Filters. 2. Not siphoning properly. 3. Improper loading of the brew basket. 	<ol style="list-style-type: none"> 1. Are correct filters being used. 2. Refer to "DRIPPING", Step 1. 3. Filter and coffee in brew basket. 	<ol style="list-style-type: none"> 1. Insert correct filter into brew basket. 2. Refer to "DRIPPING" Step 1. 3. Filter should be centered in the brew basket and coffee bed should be level.
WEAK COFFEE	<ol style="list-style-type: none"> 1. Filters. 2. Low water temperature. 3. Not siphoning properly. 4. Improper loading of brew basket. 5. Missing sprayhead. 	<ol style="list-style-type: none"> 1. Are correct filters being used. 2. Check water temperature. Refer to installation instructions. 3. Refer to "DRIPPING" Step 1. 4. Filter and coffee in brew basket. 5. Check for sprayhead. 	<ol style="list-style-type: none"> 1. Insert correct filter into brew basket. 2. Adjust thermostat control knob to obtain correct water temperature. 3. Refer to "DRIPPING" Step 1. 4. Filter should be centered in brew basket and coffee bed should be level. 5. Install sprayhead.
SOLENOID CHATTER OR HOWLING	<ol style="list-style-type: none"> 1. Brewer connected to hot water line. 2. Vibration. 3. High water pressure. 4. Water hammer. 5. 60 Cycle vibration. 	<ol style="list-style-type: none"> 1. Incoming water line 2. If brewer is on a metal stand or counter, neither the bottom pan nor copper tubing to the brewer should touch the counter. 3. Water pressure on incoming line. 4. Incoming plumbing. 5. Screws on solenoid valve. 	<ol style="list-style-type: none"> 1. Should be connected to cold water line. 2. Adjust as necessary. 3. If water pressure is over 90 PSI install a pressure regulator and adjust to 50 PSI 4. This is not the fault of the brewer and can usually be corrected by rearranging some plumbing or adding an air chamber to the incoming water line. 5. Screws should be tight. Tighten as required.
COLD WARMER STATION	<ol style="list-style-type: none"> 1. Warmer - defective. 2. Warmer On/Off switch 3. Bad harness. 	<ol style="list-style-type: none"> 1. Voltage at warmer terminals should be 120 V ac. 2. If voltage is not present on warmer terminals, check continuity of the switch. 3. Check connections between harness and switch, and between switch and warmer. 	<ol style="list-style-type: none"> 1. If voltage is present on terminals of warmer element, but warmer will not heat, replace the element. 2. If switch does not make and break continuity (between terminals 1 and 2) when turned on and off, replace switch. 3. All connections should be tight.
FAUCET DRIPPING	<ol style="list-style-type: none"> 1. Clogged valve seat. 	<ol style="list-style-type: none"> 1. Valve seat. 	<ol style="list-style-type: none"> 1. Disassemble and clean or replace as required.
FAUCET FLOW SLOW	<ol style="list-style-type: none"> 1. Entrapped air in line. 2. Faucet clogging 	<ol style="list-style-type: none"> 1. Tank to faucet line. 2. Faucet. 	<ol style="list-style-type: none"> 1. Refer to "INSTALLATION INSTRUCTIONS" Step 3. 2. Clean or rebuild faucet.

ACE SERIES BREWERS - PARTS LIST

Index	Part No	Description	Index	Part No	Description
1	102791*	Cover ass'y w/2 station step up, black	34	102842*	Base assembly, Ace-LP, 120 V
1	102789	Cover ass'y, plain	33	100024	Sprayhead, S/S 5 hole
2	100010	Warming plate ass'y 120 V, black	33	201163	Sprayhead, S/S 6 hole
2	100032	Warming plate ass'y 120 V, brown	34	102795*	Base assembly, Ace-S, 120 V
2	101431	Warming plate ass'y 220 V, black	34	102699*	Base assembly, Ace-S, 240 V
2	101432	Warming plate ass'y 220 V, brown	34	102896*	Base assembly, Ace-LP, 240 V
3	100008	Plate, black porcelain	34	101796	Base assembly, Ace-TC
3	100020	Plate, brown porcelain	34	102929*	Base assembly, Ace-AP
4	100187	Warming Element, 120 V 100 W	34	102754*	Base assembly, Ace-D
4	100642	Warming Element, 220 V 100 W	34	101815	Base assembly, Ace-LD
5	100086	Support, element warming	35	100078	Bumper foot with screw
6	100003	3/4" plastic snap bushing	36	102805	Tank lid ass'y
7	102798	Tank ass'y, 120 V 1400 W	37	102801	Probe ass'y, weldment
7	102746	Tank ass'y, 240 V 3500 W	38	102836	Grommet, silicone, no slit, probe
8	100209	Thermostat capillary bulb clip	39	102802	Tank lid only
9	202090	Vacuum breaker, cast brass	40	781181	Gasket, silicone tank
10	100030	Gasket, tank fitting	41	102797	Tank only, spotwelded
11	102581	Element main heating, 1100 W 120 V	42	100149	Elbow, Male 1/4 comp x 1/8
11	102580	Element main heating, 1400 W 120 V	43	102616	Upper rear panel
11	102850	Element main heating, 3500 W 240 V	44	102618	Solenoid cover
12	100409	Gasket, tank fittings	45	102614	Tube and elbow assembly
13	100190	1/2-20 Brass jam nut	46	102820	Solenoid valve assembly with fittings
14	704227	Main thermostat	46	201158	Repair kit, solenoid valve
15	100633	Hi-limit Thermostat, manual reset	47	100442	Elbow, male 1/4 flare x 3/8 compression
16	100269	Hi-Limit thermostat bracket	48	102780	Solenoid valve, S-45
17	100135	Bulkhead outlet fitting	49	790019	Gasket, flow control
18	100166	3/8" compression sleeve	50	100290	.250 flow control washer
19	100170	3/8" compression nut	51	100296	Cap, flow control compression
20	102783	Sprayhead tube ass'y	52	101720	Connector, female 3/8" comp x 1/8
21	100025	Sprayhead gasket	53	100431	Brass nut, 9/16-24, 11/16 hex
22	100085	Lighted rocker switch 120 V	54	152701	Tank fill tube
22	100504	Lighted rocker switch 240 V	55	201112	Tube insert, 1/4" brass
23	201985	Brew switch, black, rectangular	56	102835	Bulkhead, faucet outlet
24	102775	Dual lamp, brewing/ready indicating 120 V	57	101135	Overflow tube
24	102471	Dual lamp, brewing/ready indicating 240 V	58	100440	Hose clamp
25	102771	Label, power/faucet	59	102874	Tube, tank to faucet
25	102869	Label, lower warmer/faucet	60	152461	Clamp, S/S No 10
26	102862	Micro switch & bracket ass'y	61	100022	Power cord ass'y, 14/3
27	102841	Micro switch only	62	100500	ON/OFF switch (may require frame below)
28	102770	Faucet w/red handle	63	201222	Switch frame, Req'd with 21/32 x 1-7/32 hole
28	100604	Seat cup for faucet	64	101035	Strain relief, 14/3 cord
29	700117	Brew basket ass'y, brown wide base	65	102844	Circuit board support
29	700118	Brew basket ass'y, black wide base	66	102851	Control board ass'y with bracket, 2.5 min. timer
29	700119	Brew basket ass'y, black narrow base	67	102369	Control board only, 2.5 min. timer
29	700120	Brew basket ass'y, brown narrow base	68	102819	Plate, timer access
30	102800	Brew rail, LH		100550	Decanter, glass 12 cup
30	102846	Filter pack brew rail, L.H.		100540	Superbowl decanter (specify color)
31	102799	Brew rail, RH		700900-01	Airpot
31	102847	Filter pack brew rail, R.H.		700915	Dispenser
32	201173	Sprayhead nut			

*When ordering these parts please specify if replacement parts are for a black or woodgrain finish brewer. A "-B" for black finish or "-W" for woodgrain finish may be added to the part number.

**EXPLODED VIEW DRAWING
(ACE-S SHOWN)**



COMPONENT REPLACEMENT INSTRUCTIONS

CAUTION: DISCONNECT BREWER CORD FROM ELECTRICAL OUTLET BEFORE REMOVAL OF ANY PANEL OR REPLACEMENT OF ANY COMPONENT!

NOTE: IN CANADA REPAIRS ARE TO BE DONE BY CERTIFIED ELECTRICIAN OR BREWER MUST BE REINSPECTED TO MAINTAIN APPLICABLE CERTIFICATION

TANK ASSEMBLY

1. Remove brewer cover, water inlet tube, rear panel, and tank lid. Drain tank.
2. Disconnect sprayhead tube ass'y from tank by loosening compression nut on bulkhead fitting.
3. Disconnect: silicone overflow tube and tank to faucet tube from tank; wire lead from hi-limit to ready light; white lead from tank element; black lead from thermostat; and green lead from ground stud on tank.
4. Lift tank up to remove from brewer.
5. To install new tank ass'y, reverse steps 4 through 1 above.

THERMOSTAT, HI-LIMIT (SEE FIGURE 1)

1. Disconnect wires to hi-limit thermostat.
2. Remove fitting which secures retaining clip to tank and remove old hi-limit thermostat.
3. Check continuity of the new hi-limit thermostat before installing. (switch should be closed).
4. Install new hi-limit thermostat into place under the retaining spring, securing spring under fitting to tank. Reconnect wire leads.
5. Make sure the hi-limit thermostat is securely mounted & that all electrical connections are tight and isolated.

THERMOSTAT, MAIN

1. Remove two screws which secure thermostat to bracket.
2. Remove grommet from tank by pressing out with thumb. Pull capillary bulb out through hole.
3. Disconnect thermostat wires.
4. Installation is reverse of removal.

ELEMENT, TANK HEATING

1. Remove the lid from tank.
2. Disconnect wire leads from the tank element.
3. Remove the 2 brass nuts, on side of tank, from tank element. Remove element.
4. Install the new tank heating element, washers, and nuts. Tighten securely to insure proper scaling.
5. Inspect tank lid gasket and replace if necessary.
6. Finish installation by reversing steps 2 through 1.

WARMER ELEMENT

1. Remove retaining screws from warmer plate.
2. Lift plate and disconnect leads.
3. Remove nuts and washers holding retaining plate and warmer element to plate.
4. Installation is reverse of removal.

FAUCET ASSEMBLY (SEE FIGURE 2)

1. Place container under faucet and open faucet to drain water off to a level below faucet supply line.
2. Disconnect tank to faucet water line from faucet shank and remove nut using a deep well socket (3/4"). NOTE: If an appropriate socket is not available it may be necessary to remove the micro switch to access nut with a wrench.
3. Pull out faucet ass'y from front of brewer. Reverse steps for installation of new faucet ensuring that the arm of the micro switch is seated on top of faucet stem located behind handle.

MICRO SWITCH BRACKET ASSEMBLY (SEE FIGURE 2)

1. Remove cover from brewer.
2. Disconnect wire leads from switch, noting connections. (Common and NO)
3. If replacing switch only:
 - Remove (2) 4-40 screws securing switch to bracket and remove switch.
 - Reverse procedure for installation ensuring that the arm of the micro switch is seated on top of faucet stem located behind handle. Check continuity of new switch before installation.
4. If replacing complete micro switch/bracket assembly:
 - Follow steps 1-2 above.
 - Remove screw located behind faucet handle from front of brewer and retain for reinstallation.
 - Remove faucet as described in "FAUCET ASSEMBLY". Remove old bracket assembly.
 - Reinstall reversing steps outlined above.

SOLENOID VALVE (SEE FIGURE 3)

1. Shut off water supply to brewer.
2. Disconnect water line to the coffee brewer at solenoid.
3. Remove solenoid cover.
4. Disconnect fill tube from solenoid valve and inlet fitting.
5. Remove gray and white wires from solenoid terminals.
6. Remove 8-32 screws and washers which secure solenoid bracket to back panel.
7. Remove old solenoid and reinstall new solenoid by reversing procedure.

MASTER SWITCH(ES)

1. Remove brewer top cover and disconnect wire leads from defective switch noting their position.
2. Compress tabs on top and bottom of switch and remove by pushing forward through panel.
3. Check continuity of switch and install by reversing procedure.

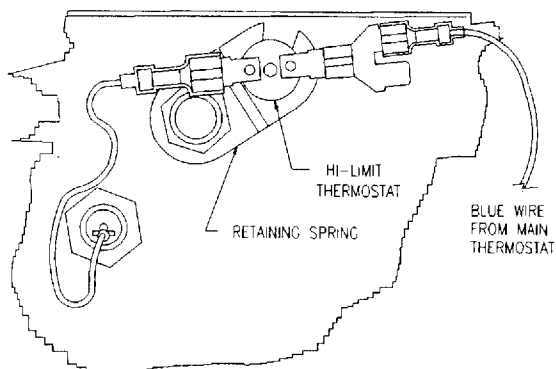


FIGURE 1

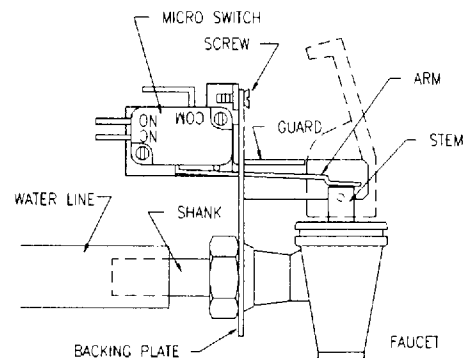


FIGURE 2

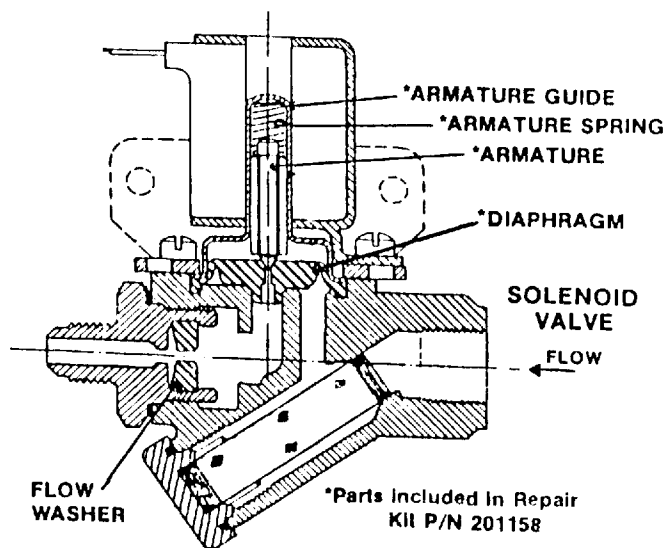
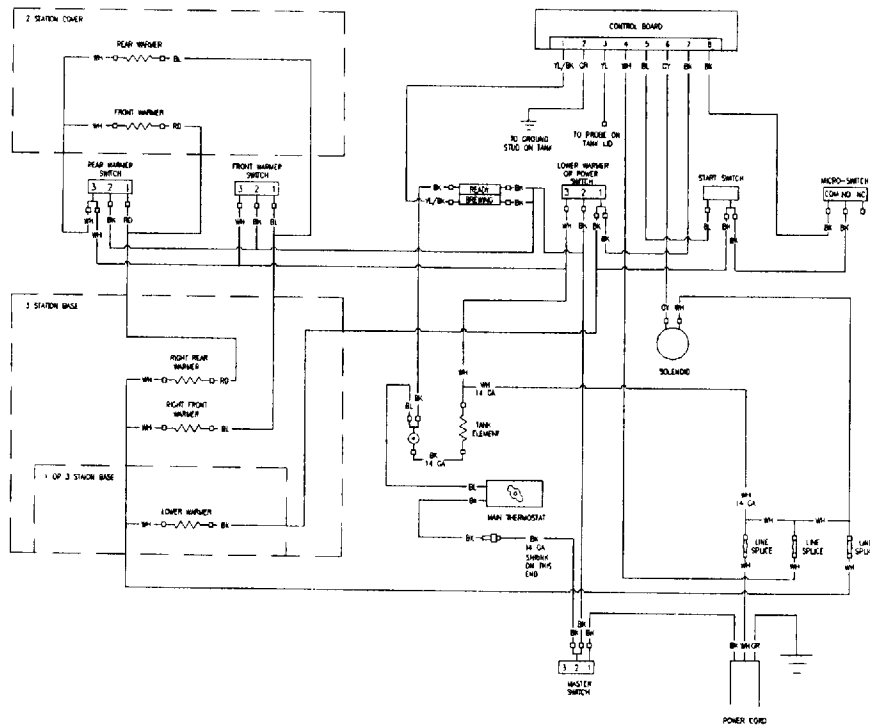
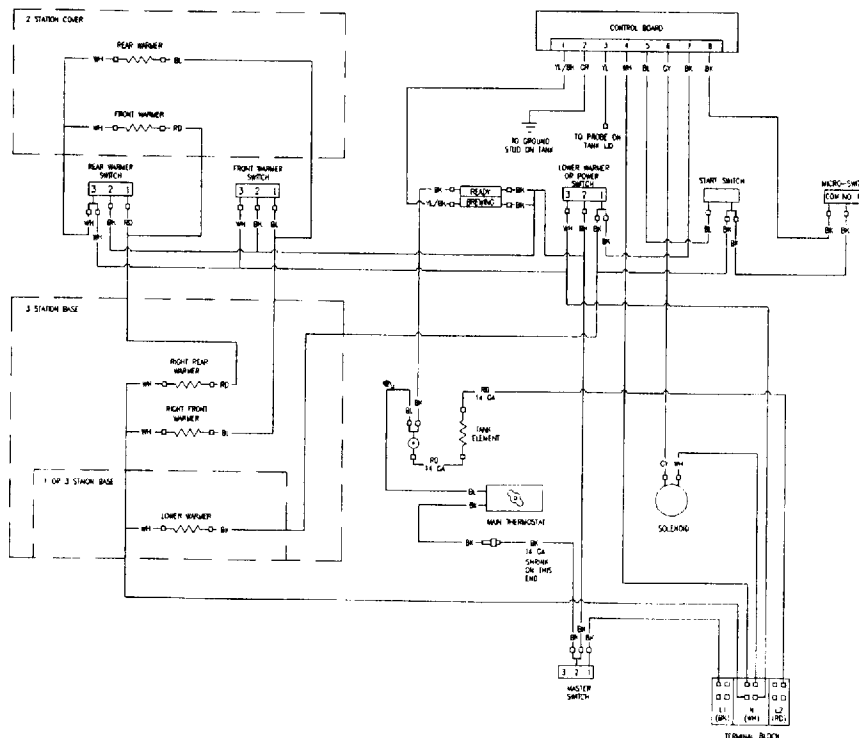


FIGURE 3

WIRING DIAGRAMS



ACE 120 VOLT SCHEMATIC



ACE 240 VOLT SCHEMATIC

WARRANTY

Newco coffee brewers are warranted against defects in workmanship or materials, under normal use, for 90 days from the date of purchase. Brewer parts are warranted against defect for 12 months from date of purchase.

Liability in all events is limited to the purchase price paid and liability under the aforesaid warranty is limited to replacing or repairing any part or parts which are defective in material or workmanship, and returned to our factory, shipping cost prepaid. No warranty expressed or implied, other than the aforesaid is made or authorized by Newco Enterprises, Inc.

Prompt disposition will be made if item proves to be defective, within warranty. Before returning any item, write or call Newco, or the dealer from whom the product was purchased, giving model number, serial number, and date of purchase, and describe nature of the defect. If damage was incurred during transit to you, file claim with the carrier.

Newco Enterprises, Inc. * 1735 South River Rd. * P.O. Box 852 * St. Charles, MO 63302